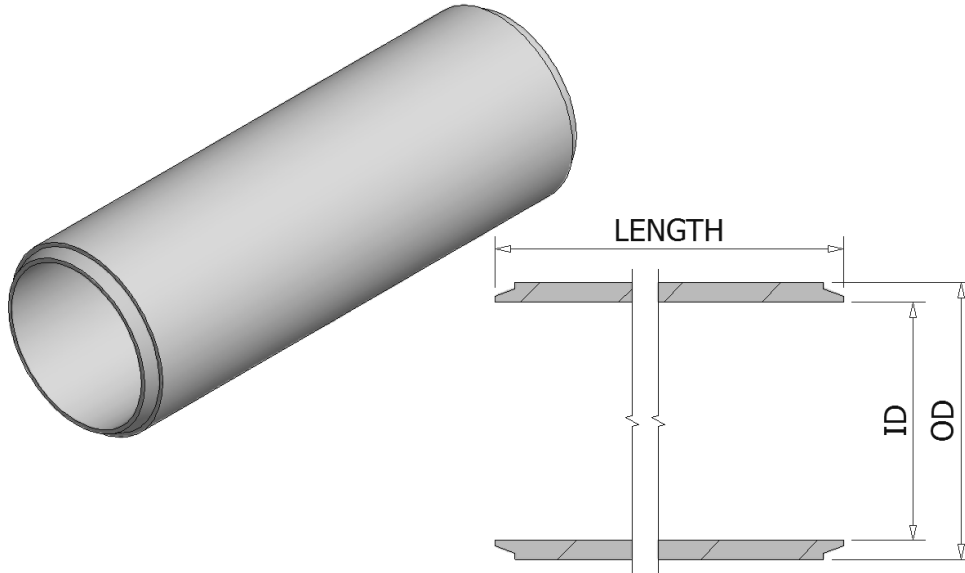


SPIGOT PIPE

- Typically used in conjunction with a pipe head-wall and rubber ring joint pipe.
- Used for irrigation needs; supply drainage, sumps & crossings.
- Available in strength classes made to suit your irrigation needs.
- Manufactured to AS/NZS 4058:2007 Pre-cast concrete pipes (pressure & non-pressure) standards.



CODE	SIZE ID	SIZE OD	JOINED LENGTH	APPROX. WEIGHT
2660	300	363	2485	255kg
2665	375	460	2480	375kg
2670	400	472	2490	345kg
2680	450	530	2480	425kg
2690	525	620	2475	540kg
2700	600	697	2500	740kg
2710	700	810	2480	870kg
2715	750	860	2470	1130kg
2720	800	922	2500	1100kg
2725	825	950	2490	1225kg
2730	900	1030	2500	1320kg
2740	1050	1197	2500	1730kg
2750	1200	1355	2500	2030kg
2751	1350	1513	2000	2600kg
2752	1500	1675	2000	3300kg
2754	1800	2000	2000	5000kg